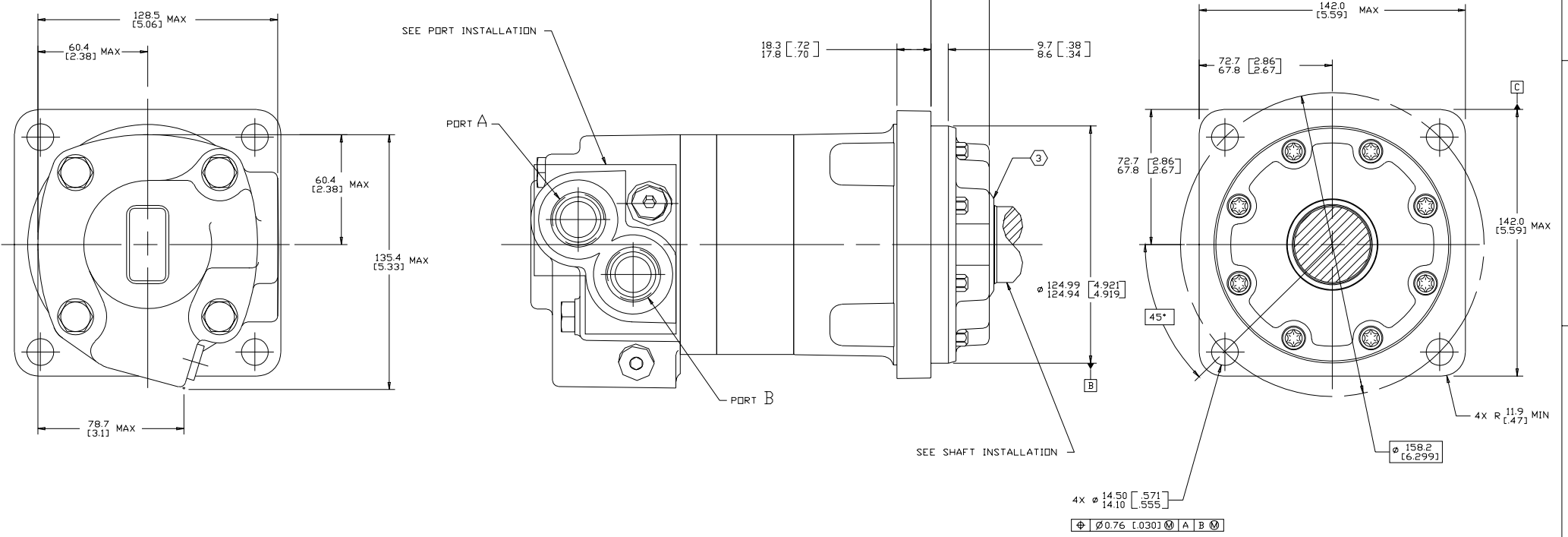


| SYM | REVISION | BY | DATE | ECN |
|-----|---|-----|----------|---------|
| A | RELEASE FOR SAMPLES AND ESTIMATE | GA | 1-29-91 | X5116 |
| H | (5)REVISED PICTORIALY | VVB | 8-16-06 | M66511 |
| J | (7)MOUNTING TYPE WAS "H" | AMM | 1-24-07 | 0002527 |
| K | REVISED FOR DETAILS OF CHANGES REFER ECR ATTACHMENT | PRK | 5-21-09 | M76013 |
| L | ADDED NOTE (3) | SMT | 11-19-12 | M87527 |



NOTE

1 ROTATION:
 STANDARD; WHEN FACING SHAFT END OF MOTOR, SHAFT TO ROTATE;
 CLOCKWISE WHEN PORT "A" IS PRESSURIZED
 COUNTERCLOCKWISE WHEN PORT "B" IS PRESSURIZED

REVERSE; WHEN FACING SHAFT END OF MOTOR, SHAFT TO ROTATE;
 CLOCKWISE WHEN PORT "B" IS PRESSURIZED
 COUNTERCLOCKWISE WHEN PORT "A" IS PRESSURIZED

2. MOUNTING TYPE: AH
 STANDARD ISO FLANGE 125 B4HW (ISO 3019/2)
 124.97 [4.920] PILDT DIA. 14.27 [0.562]
 DIA. HOLES ON 160.00 [6.299] DIA. BOLT CIRCLE

(3) APPLICABLE IF INDICATED ON PART LIST

REVIEWED FOR CLASSIFICATION PER ESP-042

| | | | |
|--|---|---------------------|---|
| UNLESS OTHERWISE SPECIFIED ALL DIMENSIONS ARE IN INCHES <input type="checkbox"/> MILLIMETERS <input checked="" type="checkbox"/> | DRAWING BASED ON ASME Y14.5M-1994 | | Eaton Hydraulic Division Eaton Hydraulic Inc. 2400 John Day Road Com. Prairie, WI 53544 USA |
| TOLERANCES | EATON CORPORATION - CONFIDENTIAL AND PROPRIETARY NOTICE TO PURCHASER RECEIVING THIS DRAWING THIS DRAWING IS THE PROPERTY OF EATON CORPORATION. IT IS TO BE USED FOR THE PURCHASE OF EATON PRODUCTS ONLY. IT IS NOT TO BE REPRODUCED, COPIED, OR TRANSMITTED IN ANY FORM OR BY ANY MEANS, ELECTRONIC OR MECHANICAL, INCLUDING PHOTOCOPYING, RECORDING, OR BY ANY INFORMATION STORAGE AND RETRIEVAL SYSTEM, WITHOUT THE WRITTEN PERMISSION OF EATON CORPORATION. AT 12/28/2011 10:52 AM | | |
| xx + REF | DRAWN: GA 4-12-91 | MATERIAL/HEAT TREAT | |
| xxx + DIMLY | CHECKED: KJR 7-3-91 | | |
| UNSPECIFIED RADI ARE | ENGR: CK 7-5-91 | TITLE | 4000 MOTOR INSTALLATION |
| UNSPECIFIED DRAFT ANGLES ARE | METALLURGY BY/DATE | NUMBER | A-332-000 |
| DRAWING FORMAT CASE <input type="checkbox"/> MANUAL <input type="checkbox"/> | THIRD ANGLE PROJECTION | SCALE | 1/1 |
| | DO NOT SCALE | SHEET | 1 OF 1 |