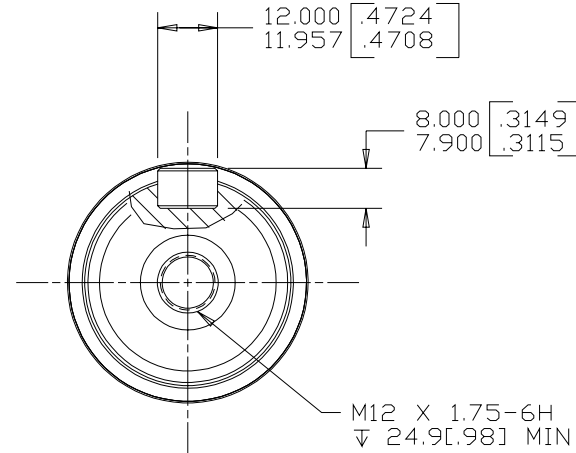
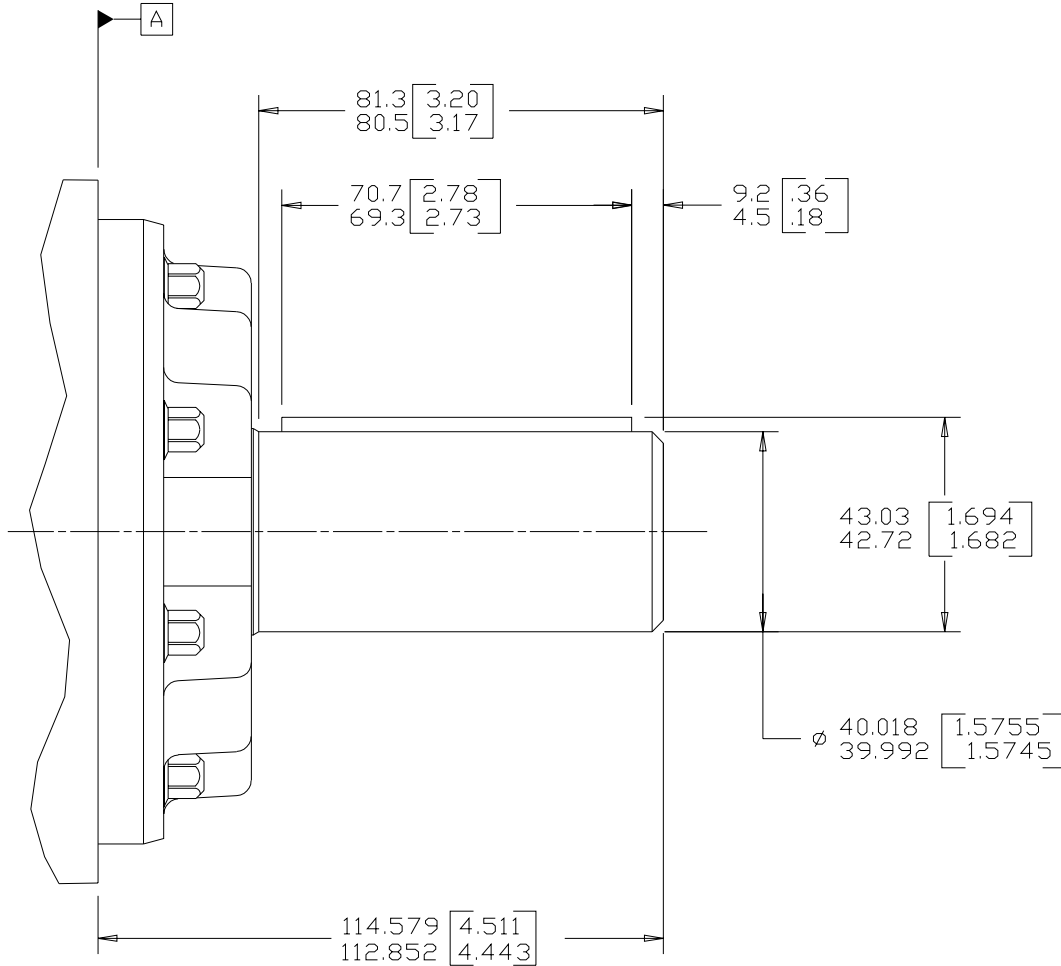


SYM	REVISION	BY	DATE	ECN
A	RELEASE FOR SAMPLES AND ESTIMATE	G.A	1-29-91 KJR	X5116
B	ENGINEERING RELEASE	MLW	6-27-91 KR	20710
C	REMOVED 30.8 [1.21] MAX AND PICTORIAL CHANGE TO FRONT RETAINER	LMD	12-13-91 LMD	21445
D	REVISED	SDR		22331
E	-1) MOUNTING TYPE WAS "H" -2) OUTPUT SHAFT WAS "14"	AMM	1-24-07	0002527
F	-1) WAS 111.70-114.50 [4.390-4.510]	PRK	5-21-09	M76013
G	-1) REVISED AS PER STACK UP -2) UPDATED TO ASME Y14.5-2009 STANDARD	NRI	8-06-14	0058100



REVIEWED FOR CLASSIFICATION PER ESP-042

NOTE

- MOUNTING TYPE: OPTION AH
- OUTPUT SHAFT: OPTION 11

UNLESS OTHERWISE SPECIFIED ALL DIMENSIONS ARE IN INCHES <input type="checkbox"/> MILLIMETERS <input checked="" type="checkbox"/>		DRAWING BASED ON ASME Y14.5-2009			
TOLERANCES X ± ---- XX ± REF XXX ± ONLY ∠ ----		EATON CORPORATION - CONFIDENTIAL AND PROPRIETARY NOTICE TO PERSONS RECEIVING THIS DRAWING AND / OR TECHNICAL INFORMATION THIS DOCUMENT, INCLUDING THE DRAWING AND INFORMATION CONTAINED THEREIN, IS CONFIDENTIAL AND IS THE EXCLUSIVE PROPERTY OF EATON CORPORATION AND IS MERELY ON LOAN AND SUBJECT TO RECALL BY EATON AT ANY TIME BY TAKING POSSESSION OF THIS DOCUMENT. THE RECIPIENT ACKNOWLEDGES AND AGREES THAT THIS DOCUMENT CANNOT BE USED IN ANY MANNER ADVERSE TO THE INTERESTS OF EATON, AND THAT NO PORTION OF THIS DOCUMENT MAY BE COPIED OR OTHERWISE REPRODUCED WITHOUT THE PRIOR WRITTEN CONSENT OF EATON. IN THE CASE OF CONFLICTING CONTRACTUAL PROVISIONS, THIS NOTICE SHALL GOVERN THE STATUS OF THIS DOCUMENT. COPYRIGHT 2008 EATON CORPORATION - ALL RIGHTS RESERVED.		<b>EATON</b> Powering Business Worldwide Eaton Hydraulics LLC 14615 Lone Oak Road Eden Prairie, MN 55344 USA	
UNSPECIFIED RADII ARE	ENGRG BY/DATE GK 7-9-91 METALLURGY BY/DATE	DRAWN BY/DATE G.A 4-17-91 CHECKED BY/DATE KJR 7-9-91	MATERIAL/HEAT TREAT		
UNSPECIFIED DRAFT ANGLES ARE	THIRD ANGLE PROJECTION	TITLE 4000 SERIES MOTOR SHAFT INSTALLATION			
DRAWING FORMAT CADD <input checked="" type="checkbox"/> MANUAL <input type="checkbox"/>	DO NOT SCALE	MICROINCHES <input type="checkbox"/> MICROMETERS <input checked="" type="checkbox"/>	NUMBER A-333-010		
		ARITHMETICAL AVERAGE <input checked="" type="checkbox"/>	SCALE 1/1 SHEET 1 OF 1		