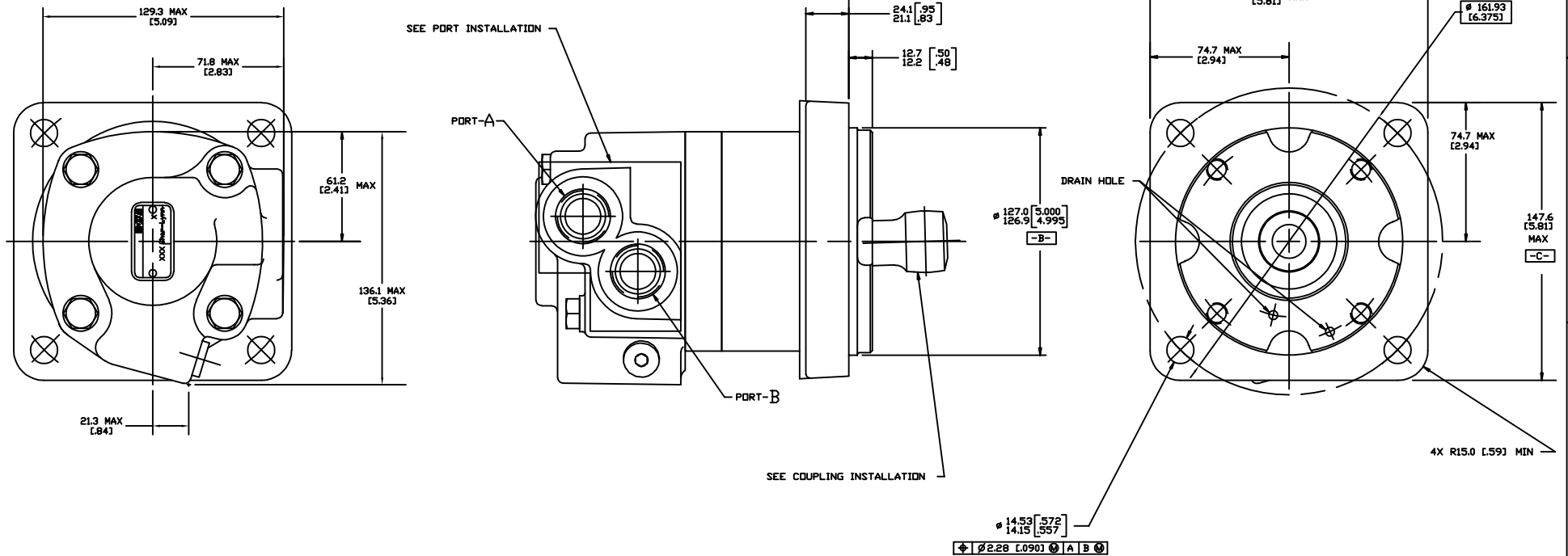


REV	DESCRIPTION	BY	CHK	DATE	ECN
A	ENGINEERING RELEASE	SDR		02-08-92	21551
B	(2B) 114.50 WAS 63.70	JMM		01-17-95	26395
C	-1X(7B) REMOVED 17*±1* -2X(4D) REMOVED 37.8/34.4 (1.49/1.36) -3X(4D) ADDED 12.7/12.2 (5.07/4.8)	AGJ		11-22-95	27499
D	(5C) (7) REVISED PICTORIALY	RAF		02-05-97	29191
E	(2C) REVISED PICTORIALY	SMM		02-20-01	36991
F	(7A) MOUNTING TYPE WAS 'A'	SSD		12-17-01	0002327
G	-1D REVISED DIMENSIONS FOR STACK UP -2X(6A) NOTE 2 WAS 'MOUNTING TYPE: AA 4 BOLT...'	CSG		07-01-01	H81474



NOTE

1. ROTATION
STANDARD; WHEN FACING SHAFT END OF MOTOR, SHAFT TO ROTATE;
CLOCKWISE WHEN PORT 'A' IS PRESSURIZED
COUNTERCLOCKWISE WHEN PORT 'B' IS PRESSURIZED

REVERSE; WHEN FACING SHAFT END OF MOTOR, SHAFT TO ROTATE;
CLOCKWISE WHEN PORT 'B' IS PRESSURIZED
COUNTERCLOCKWISE WHEN PORT 'A' IS PRESSURIZED

2. MOUNTING TYPE: AA
BEARINGLESS, 4 BOLT; 127.00 [5.000] PILOT DIA. 14.27 [5.62] DIA. HOLES
ON 161.92 [6.375] DIA. BOLT CIRCLE

REVIEWED FOR CLASSIFICATION PER ESP-042

DRAWING BASED ON ANSI Y14.5M-1982

UNLESS OTHERWISE SPECIFIED ALL DIMENSIONS ARE IN MILLIMETERS	NOTICE TO PERSONS RECEIVING THIS DRAWING	THIS DRAWING IS THE PROPERTY OF EASTERN CORPORATION - CONFIDENTIAL AND PROPRIETARY. NOTICE TO PERSONS RECEIVING THIS DRAWING: THIS DRAWING IS THE PROPERTY OF EASTERN CORPORATION. IT IS TO BE USED ONLY FOR THE PURPOSES SPECIFIED IN THE ORDER AND IS NOT TO BE REPRODUCED, COPIED, OR DISTRIBUTED IN ANY MANNER WITHOUT THE WRITTEN PERMISSION OF EASTERN CORPORATION. EASTERN CORPORATION IS NOT RESPONSIBLE FOR ANY DAMAGE OR LOSS OF PROFITS OR BUSINESS INTERRUPTIONS RESULTING FROM THE USE OF THIS DRAWING.	
TOLERANCES	UNLESS OTHERWISE SPECIFIED	FINISH	UNLESS OTHERWISE SPECIFIED
AS - REF	SDR 3-14-92	INTERNAL TREAT	
FOR - ONLY	SDR 8-4-92		
UNSPECIFIED HOLE SIZE	RVA 8-4-92	TITLE	4000 MOTOR INSTALLATION
UNSPECIFIED SHAFT HOLE SIZE		NUMBER	A-597-000
UNSPECIFIED THIRD ANGLE PROJECTION	THIRD ANGLE PROJECTION	SCALE	1/1
UNSPECIFIED DIMENSIONS	DO NOT SCALE	REVISIONS	

SCALE 1/1 SHEET 1 OF 1